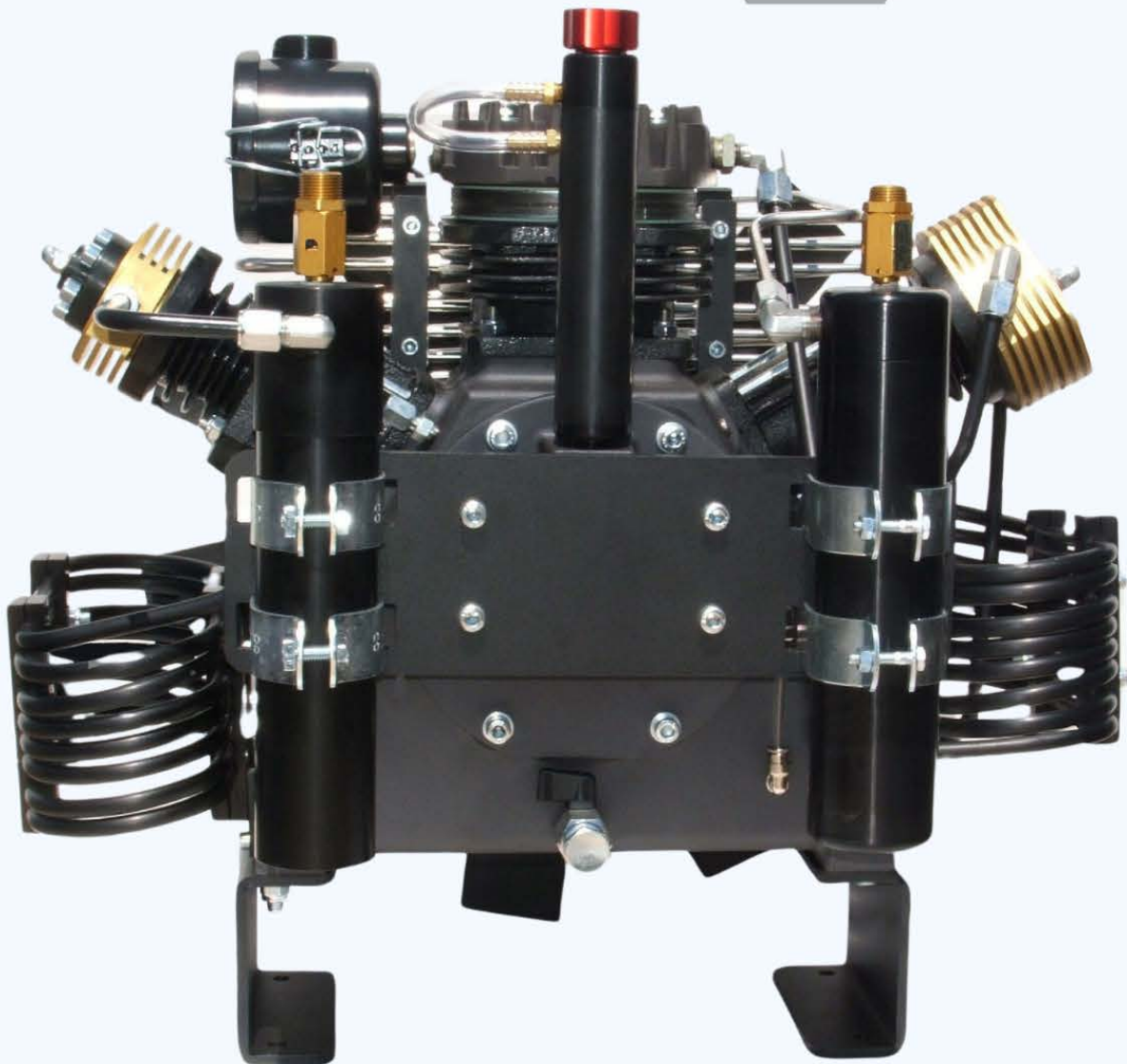
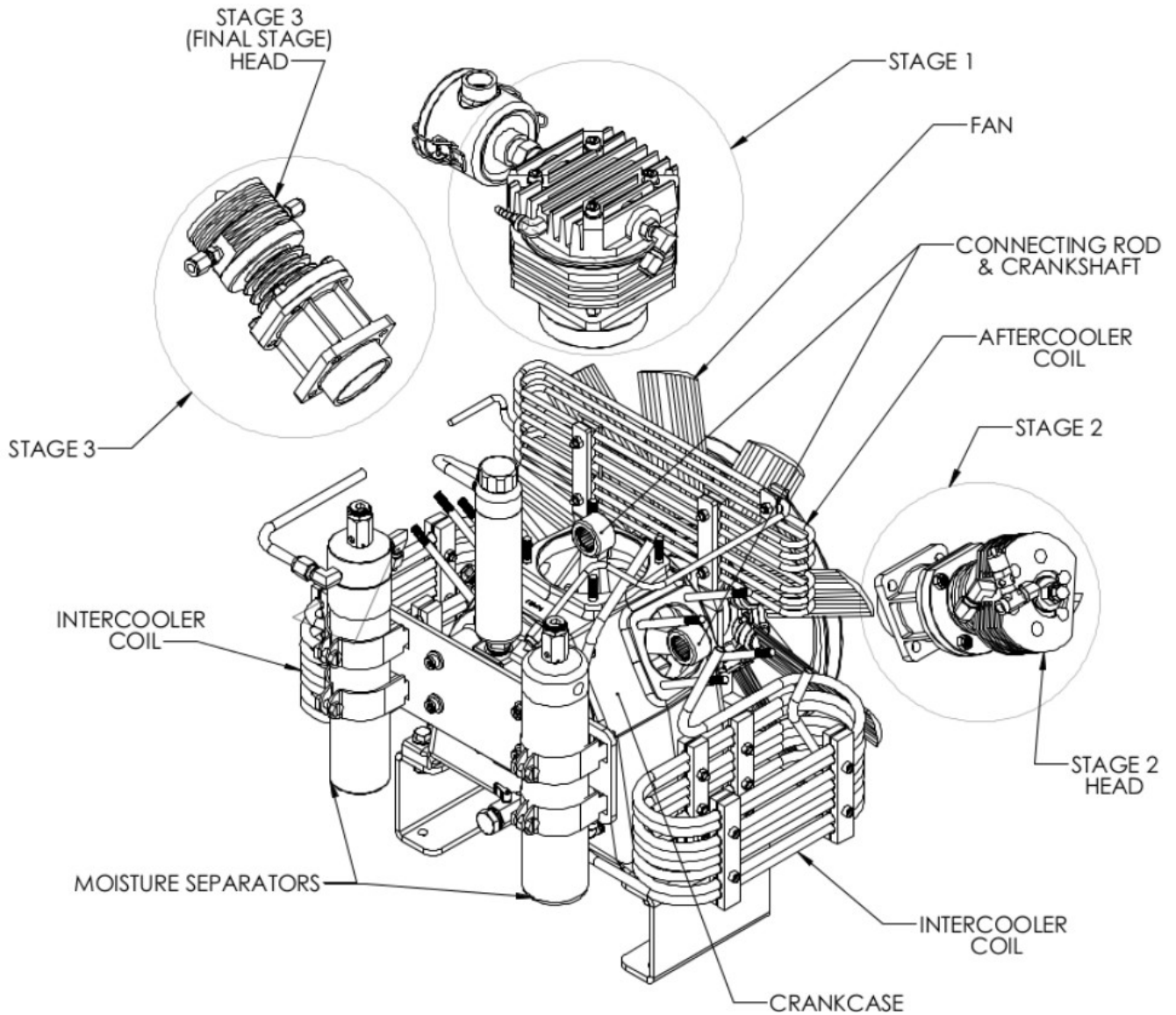




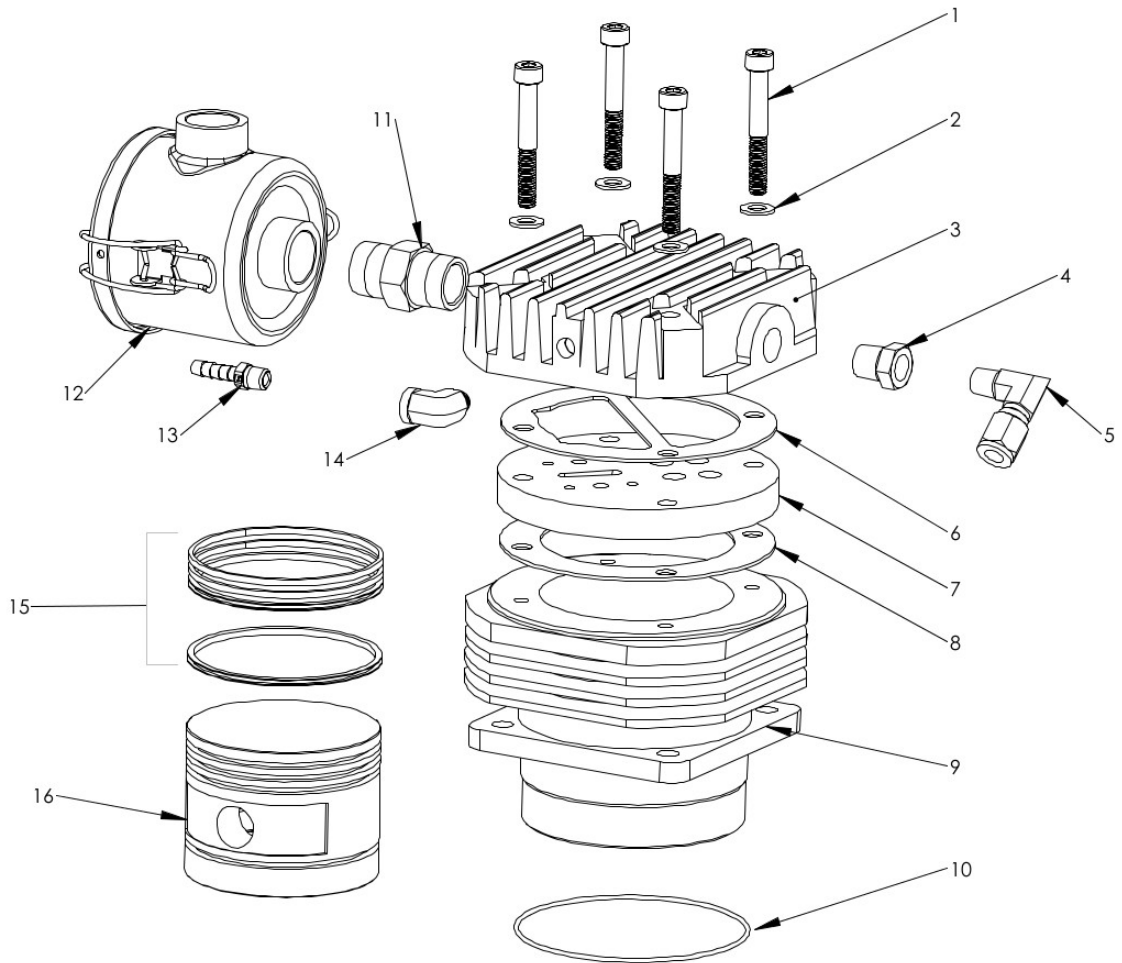
Arctic 1000 / 1060 Compressor Block Parts Manual





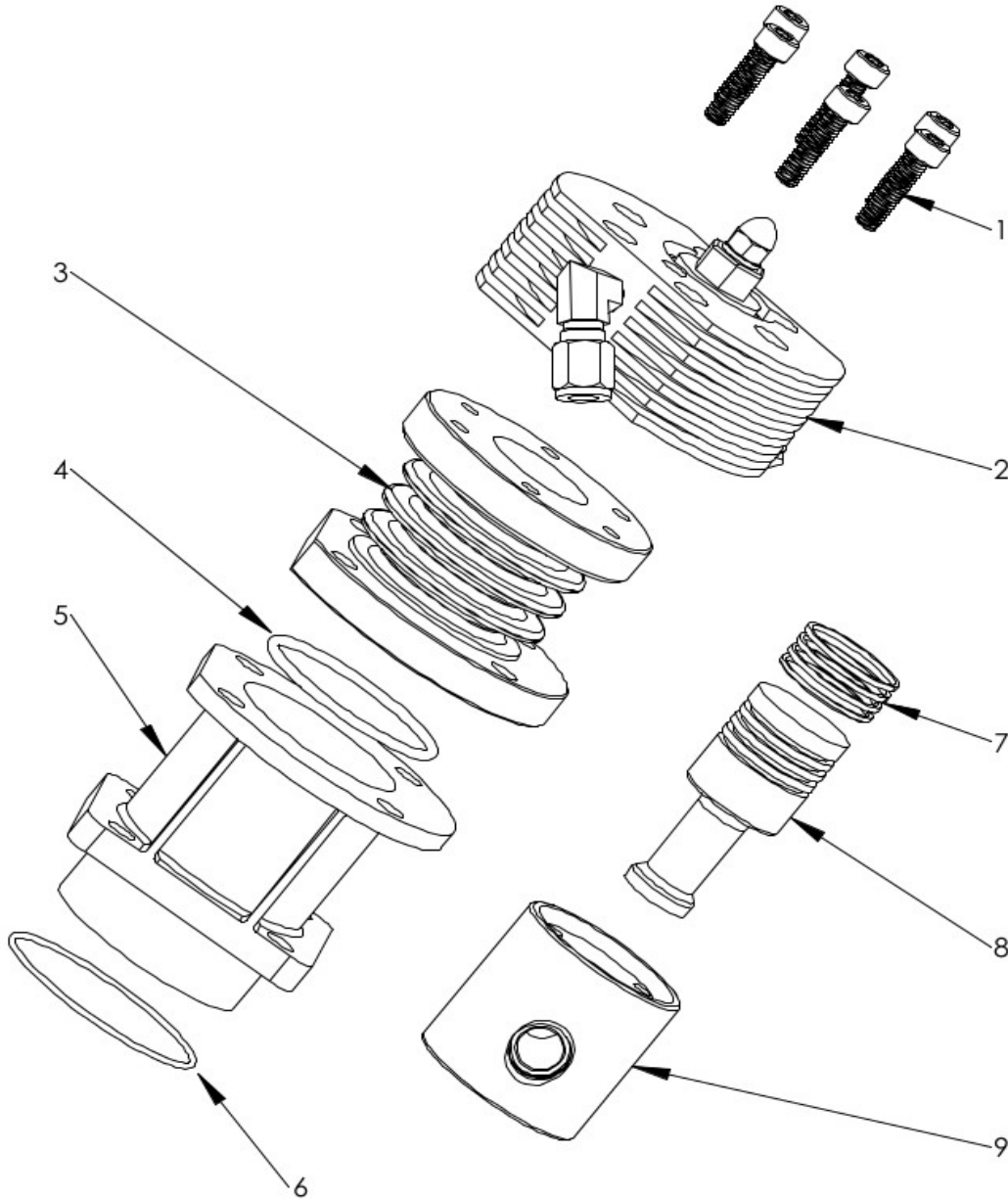
First Stage Assembly	
Second Stage Assembly	
Second Stage Head Assembly	
Final (3rd) Stage Assembly	
Final (3rd) Stage Head Assembly	
Crankshaft and Connecting Rods Assembly	
Crankcase Assembly	
Cooling System Assembly	
Fan Assembly	
Moisture Separators Assembly	

First Stage



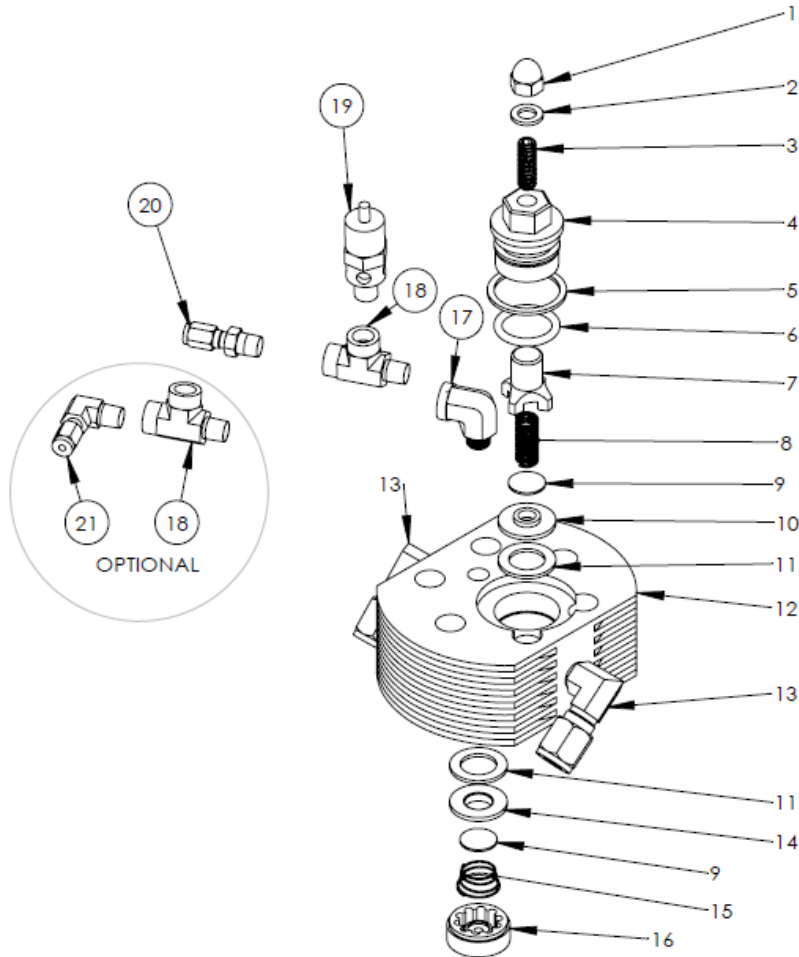
Reference #	Part #	Description	Qty
1	P-2560101	M8X60 Socket head cap screw	4
2	P-2520101	M8 washer	4
3	P-2010101	First stage head	1
4	F-011521	3/8" NPT x 1/4" NPT bushing	1
5	F-01252	1/4" NPT x 3/8" Tube elbow	1
6	P-4020101	First stage plenum gasket	1
7	P-1515101	First stage valve	1
8	P-4020102	First stage cylinder gasket	1
9	P-1010101	First stage cylinder	1
10	OR-BH2X102	First stage o-ring	1
11	F-25110	3/4" nipple	1
12	P-5520101	Air intake	1
	X-AI-2	Element for P-5520101	1
13	F-B-02162	1/4" hose barb x 1/8" MNPT	1
14	F-02210	1/8" Street elbow	1
15	P-3530101	90 mm Ring set	1 Set
16	P-3520101	90 mm Piston (WITH PIN & CLIPS)	1

Second Stage

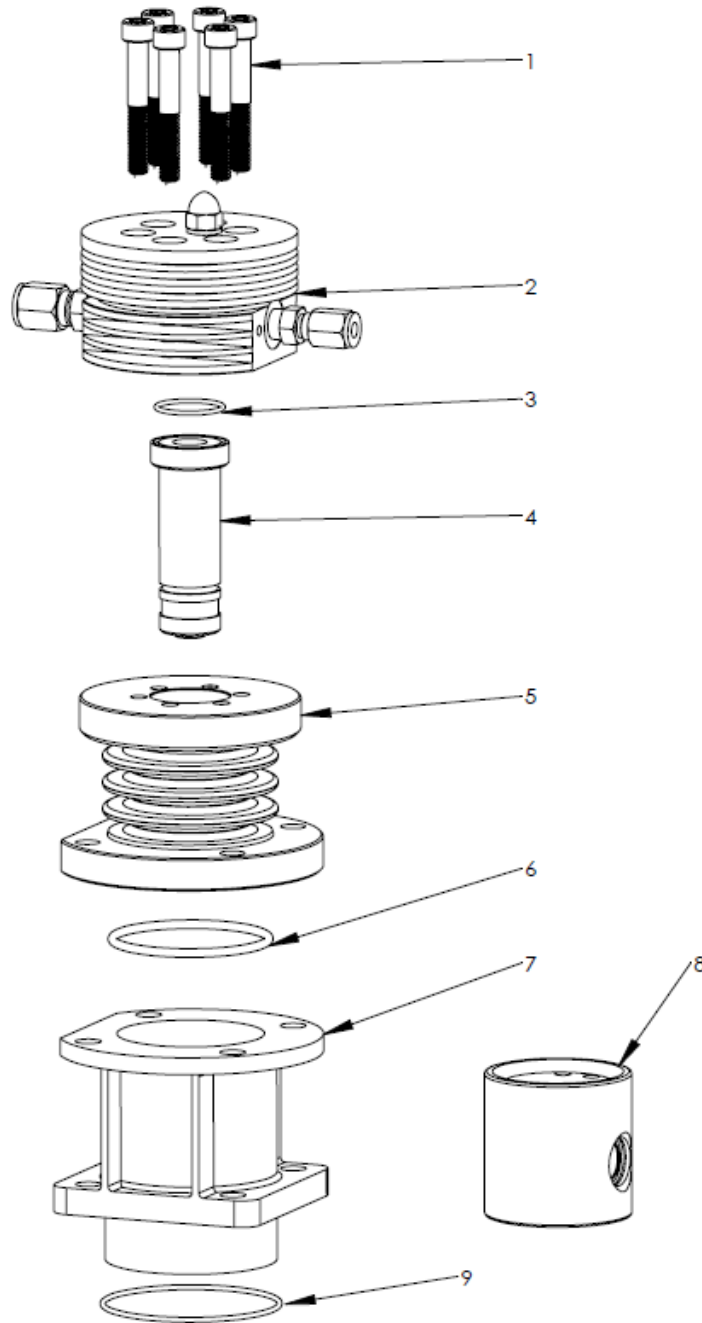


Reference #	Part #	Description	Qty
1	P-2560103	M8X30 Socket head cap screw	6
2	P-2090102	STAGE 2 (head assembly see page 4)	1
3	P-1010102	36mm Cylinder	1
4	OR-V142	Cylinder o-ring	1
5	P-1010103	Guide cylinder	1
6	OR-BH2X70	Guide cylinder o-ring	1
7	P-3530102	36 mm ring set	1
8	P-3520105	36 mm piston	1
9	P-3520103	Guide piston (WITH PIN AND CLIPS)	1

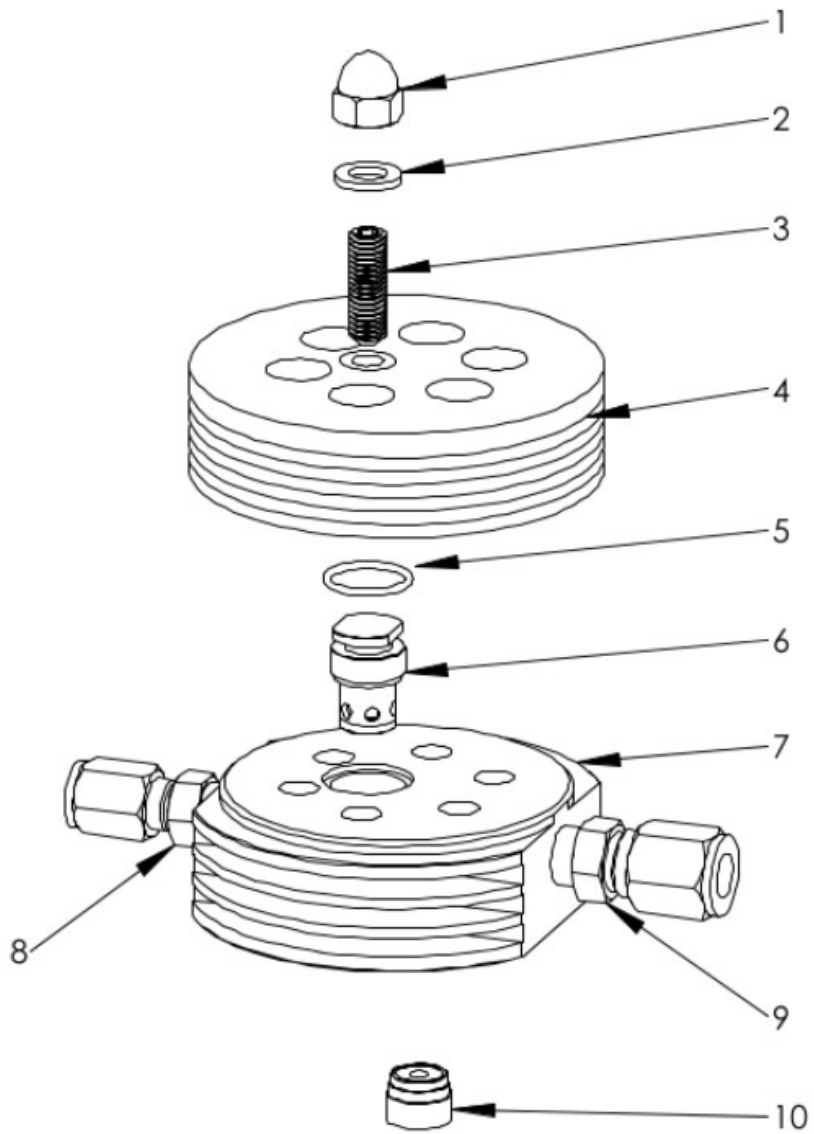
Second Stage Head



Reference #	Part #	Description	Qty
1	P-2530101	M8 Acorn Nut	1
2	P-4030101	M8 Copper Washer	1
3	P-2550101	M8 set screw	1
4	P-1540101	2nd Stage exhaust valve body	1
5	P-151010	Steel washer	1
6	OR-V212	O-ring	1
7	P-1540102	Exhaust valve hold down	1
8	P-1530101	Exhaust valve spring	1
9	P-1545101	2nd stage valve disc	2
10	P-1550101	2nd stage exhaust valve seat	1
11	P-4030102	Copper seal	2
12	P-2010102	2nd Stage head	1
13	F-01252	1/4" MNPT x 3/8" tube elbow	1
14	P-1550102	Intake valve seat	1
15	P-1530102	Intake valve spring	1
16	P-1540103	Intake valve body	1
17	F-02210	1/8" street elbow	1
18	F-02410	1/8" T fitting	1
19	A-R2018	relief valve	1
20	F-02150	1/8" tube to 1/8" NPT male fitting	1
21	F-02250	1/8" NPT male to 1/8" tube elbow	1

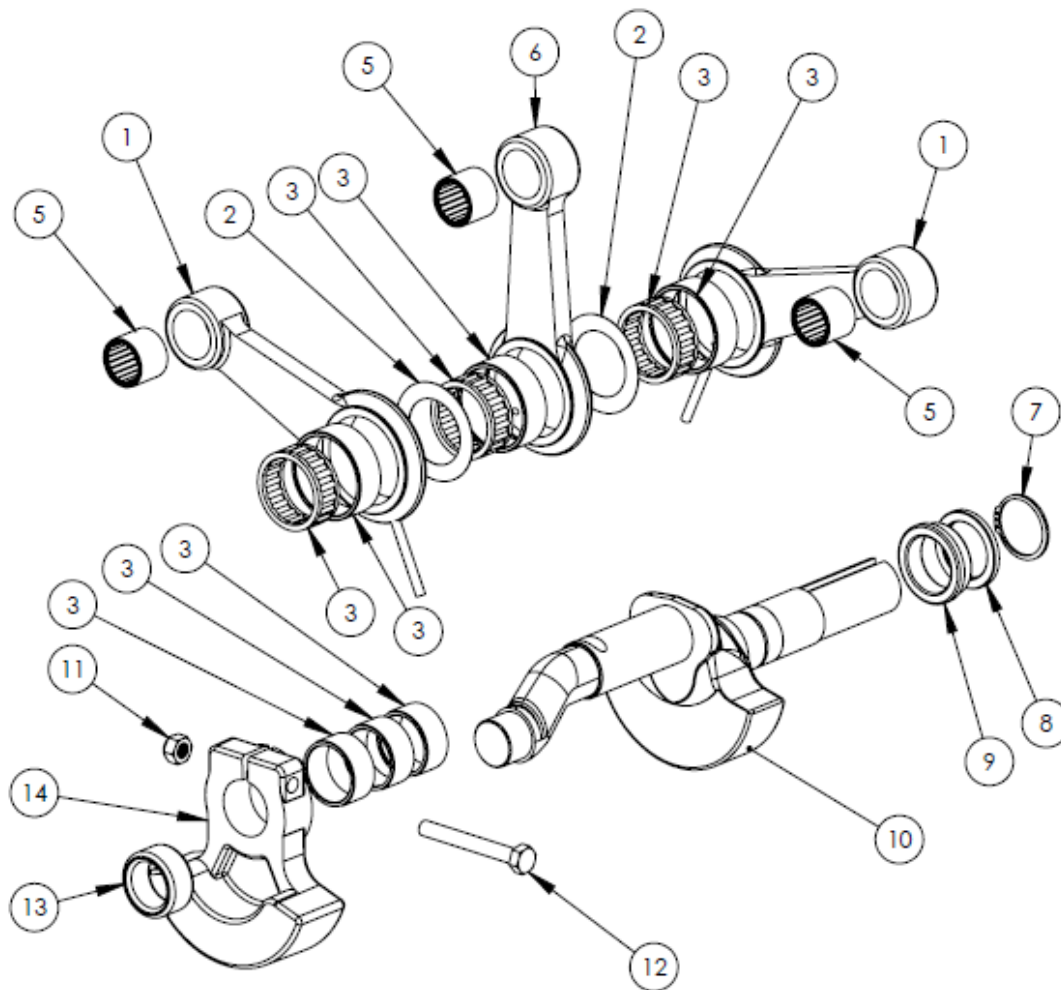


Reference #	Part #	Description	Qty
1	P-2560102	M8X55 Socket head cap screw	6
2	P-2090103	Final Head Assembly A1000 (See page 6)	1
	P-2090104	Final Head Assembly A1060 (See page 6)	
3	OR-V022-90	O-ring	1
4	P-3520102	A1000 Final piston and sleeve (14 MM)	1
	P-3520162	A1060 Final piston and sleeve (12 MM)	
5	P-1010106	Final cylinder	1
6	OR-V142	Cylinder o-ring	1
7	P-1010103	Guide cylinder	1
8	P-3520103	Guide piston (WITH PIN & CLIPS)	1
9	OR-BH2X70	Guide cylinder o-ring	1



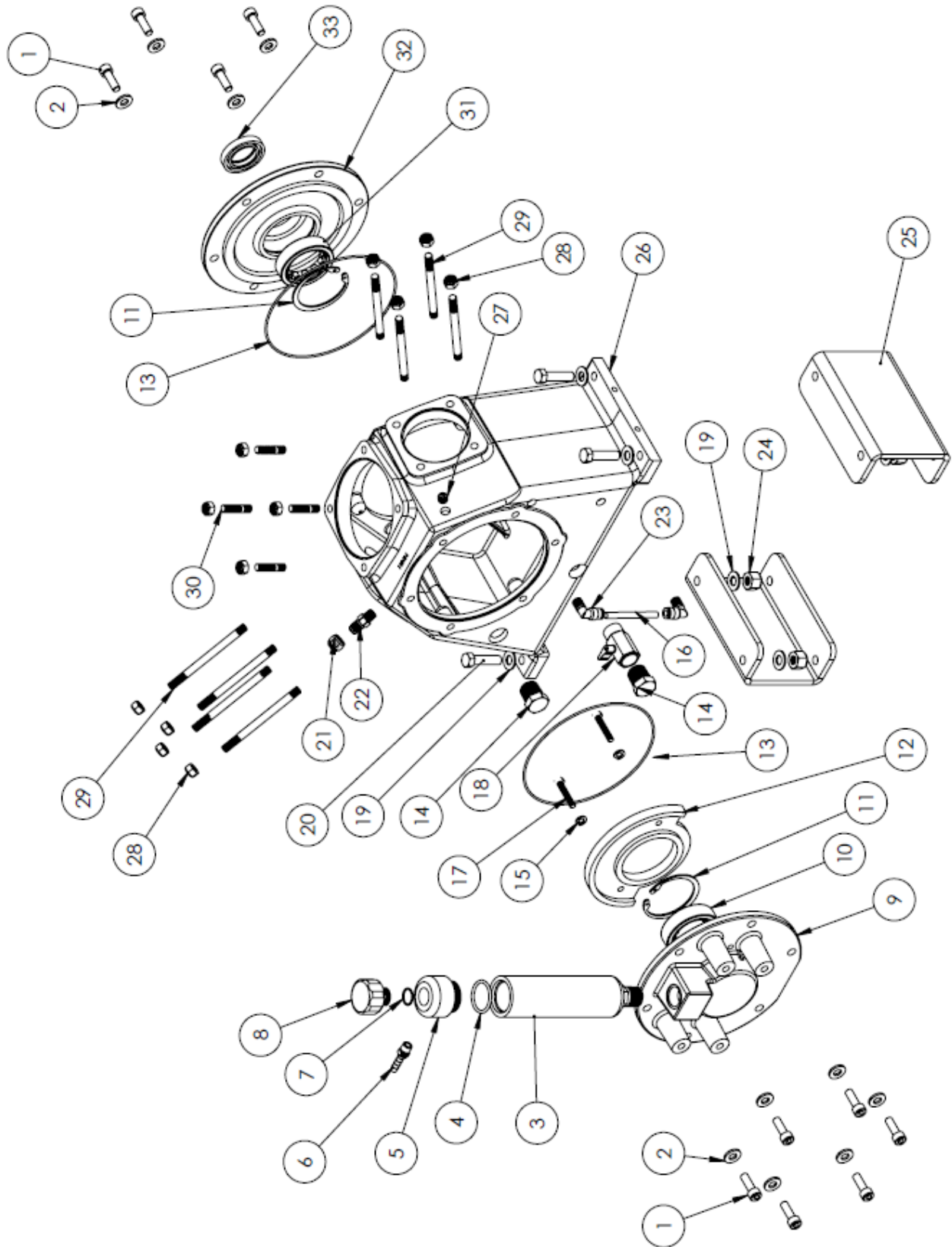
Reference #	Part #	Description	Qty
1	P-2530101	Acorn Nut	1
2	P-4030101	M8 Copper washer	1
3	P-2550101	Set screw	1
4 (ARCTIC 1000)	P-2020101	Head cap (BLACK)	1
4 (ARCTIC 1060)	P-2020161	Head cap (RED)	
5	OR-V016-90	Final valve o-ring	1
6	P-1525101	Final exhaust valve	1
7	P-2010103	Final head	1
8	F-01150	1/4" MNPT x 1/4" Tube	1
9	F-011511	1/4" MNPT x 3/8" Tube	1
10	P-1525102	Final intake valve	1

Crankshaft Assembly



Reference #	Part #	Description	Qty
1	P-3050101	Connecting rod with splasher	2
2	P-3010101	Shim	2
3	P-3060101	Needle Cage	3
		Outer race	
		Inner Race	
5	P-3060102	Needle Bearing (pin)	3
6	P-3050102	Connecting Rod (without splasher)	1
7	P-2510251	Snap clip	1
8	P-3060103	Spacer (purchased with part 31 in crankcase assembly)	1
9		Inner Race (purchased with part 31 in crankcase assembly)	
10	P-3040101	Crankshaft	1
11	P-2530202	M8 Nylon Insert Lock Nut	1
12	P-2570201	M8x65 Hex Head Bolt	1
13	P-3060104	Inner Race (purchased with part 10 in crankcase assembly)	1
14	P-3010102	Counterweight	1

Crankcase

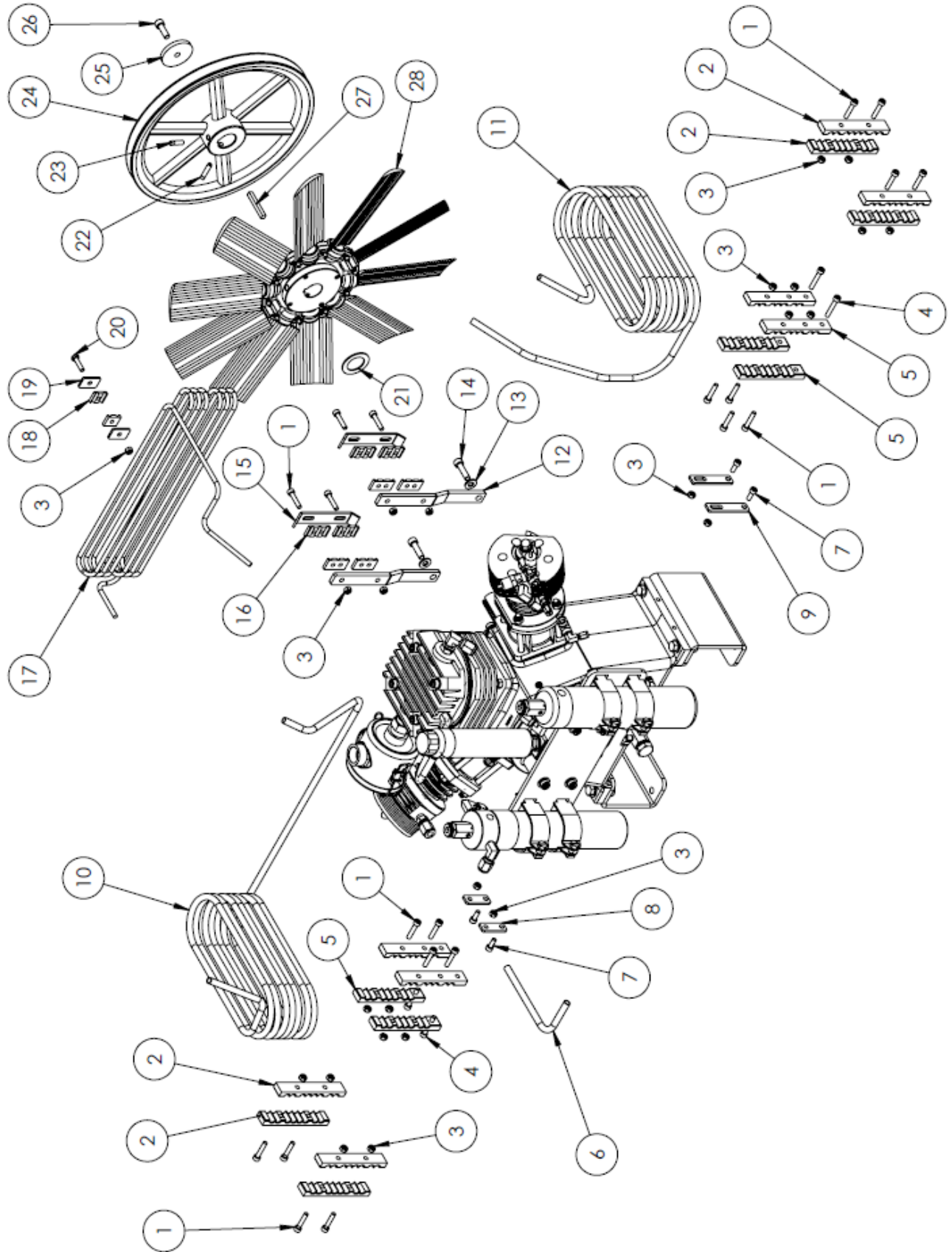


Parts table on next page

Crankcase

Reference #	Part #	Description	Qty
1	P-2560105	M8X25 SHCS	10
2	P-2520101	M8 WASHER	10
3	P-3010106	OIL TUBE	1
4	OR-B916-90	O-RING -916 BUNA 90DUR	1
5	P-3010107	OIL TUBE TOP	1
6	F-B-02162	1/4" HOSE BARB X 1/8" MNPT	1
7	OR-V016	O-RING -016 VITON 75DUR	1
8	P-3010105	OIL FILL CAP	1
9	P-3030101	CRANKCASE COVER	1
10	P-3060104	CASE COVER BEARING (OUTER RACE AND ROLLER SHOWN) (INNER RACE SHOWN WITH CRANKSHAFT ON PAGE 7)	1
11	P-2510201	SNAP RING	2
12	P-3010208	BAFFLE PLATE	1
13	OR-BH2X150	O-RING H2X150 BUNA 70DUR	2
14	F-09510	1/2" PLUG	2
15	P-2520301	M6 SPLIT LOCK WASHER	2
16	P-3010108	SIGHT GLASS TUBE	1
17	P-2560109	M6X 25 SHCS	2
18	F-09160	1/2" BALL VALVE	1
19	P-2520102	3/8" FLAT WASHER	8
20	P-2570203	3/8"X1.5" HHCS	4
21	F-03560	#4 JIC CAP	1
22	F-02131	#4 JIC MALE X 1/8" MNPT	1
23	F-02252	SIGHT GLASS FITTING	2
24	P-2530302	3/8" NYLON INSERT LOCK NUT	4
25	P-3010207	CRANKCASE RISER	2
26	P-3020101	CRANKCASE	1
27	F-02502	1/8" HH PIPE PLUG	1
28	P-2530202	M8 NYLON INSERT LOCK NUT	12
29	P-2540101	DIN 939 X 95MM STUD	8
30	P-2540102	DIN 939 X 25MM STUD	4
31	P-3060103	CASE COVER BEARING (OUTER RACE AND ROLLER SHOWN) (INNER RACE SHOWN WITH CRANKSHAFT ON PAGE 7)	1
32	P-3030102	CRANKCASE COVER	1
33	P-4030201	SHAFT SEAL 30 X 48 X 8	1

Cooling System.

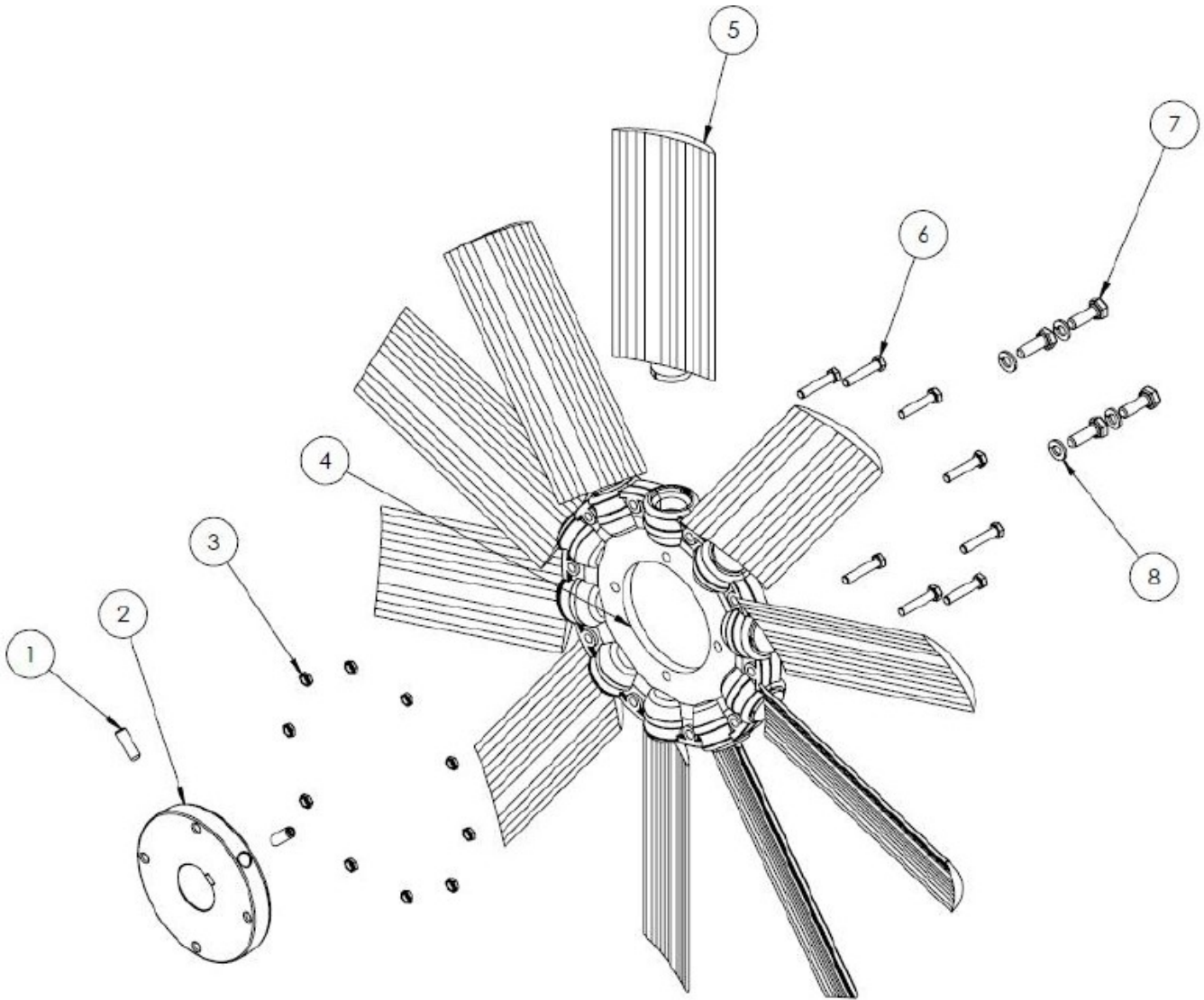


Parts table on next page

Cooling System

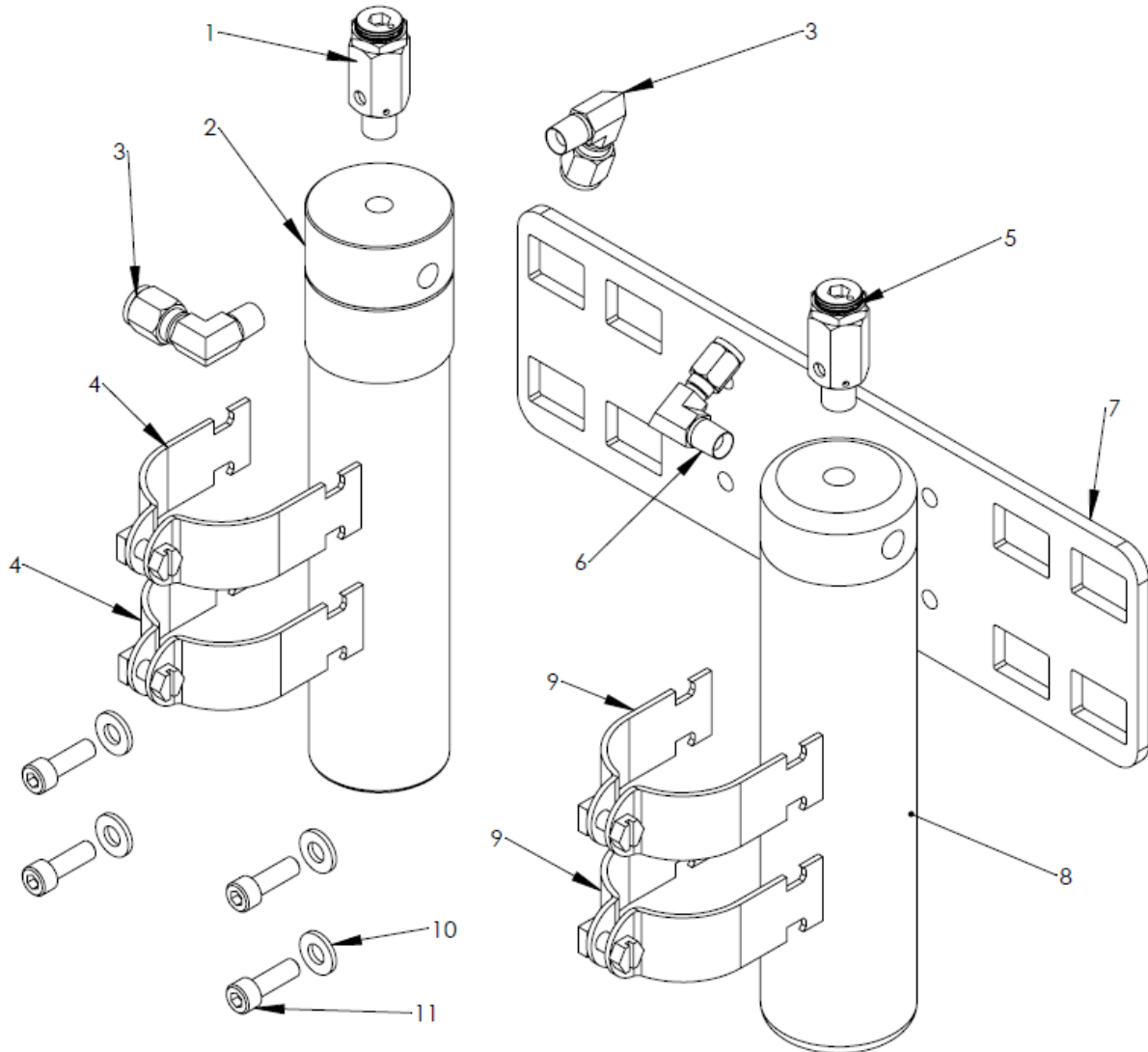
Reference #	Part #	Description	Qty
1	P-2560106	M6X30 SHCS	20
2	P-6020110	INTERCOOLER TUBE CLAMP (OUTER)	8
3	P-2530201	M6 NYLON INSERT LOCKNUT	25
4	P-2560107	M6X35 SHCS	4
5	P-6020111	INTERCOOLER TUBE CLAMP (INNER)	8
6	P-6040102	L TUBE (dia 0.380) wall thickness=0.049	1
7	P-2560108	M6X16 SHCS	4
8	P-6020301	IC TAB 1	2
9	P-6020302	IC TAB 2	2
10	P-6020202	INTERCOOLER TUBE 2 (STAGE 2 TO STAGE 3)	1
11	P-6020201	INTERCOOLER TUBE 1 (STAGE 1 TO STAGE 2)	1
12	P-6030111	AFTERCOOLER BRACKET 1 (INNER)	2
13	P-2520101	M8 FLAT WASHER	2
14	P-2560103	M8X30 SHCS	2
15	P-6030110	AFTERCOOLER BRACKET 2 (OUTER)	2
16	P-6030201	AFTERCOOLER PLASTIC	8
17	P-6030101	AFTERCOOLER TUBE	1
18	P-6030202	AFTERCOOLER PLASTIC SHORT	2
19	P-6030203	AFTERCOOLER TAB	2
20	P-2560109	M6X25 SHCS	1
21	P-2520201	SHAFT SPACER	1
22	P-2550104	5/16×1" SQUARE HEAD SET SCREW (CUP TIP)	1
23	P-2550103	5/16 x ¾ SQUARE HEAD SET SCREW (CUP TIP)	2
24	P-3080101	FLYWHEEL	1
25	P-2520202	CRANKSHAFT WASHER	1
26	P-2560105	M8X25 SHCS	1
27	P-6510104	¼ X ¼ X 2 SQUARE KEY	2
28	P-3070104	FAN ASSEMBLY (SEE PAGE 12)	1

Cooling Fan



Reference #	Part #	Description	Qty
1	P-2550102 *(Before May 2013)	1/4 x 3/4 socket set screw (cup point)	2
	P-2550108 *(After May 2013)	5/16 x 3/4 socket set screw (cup point)	
2	P-3070101	Fan bushing	1
3	P-2530401	M5 nut	10
4	P-3070102	Fan hub assembly	1
5	P-3070103	Fan Blade	10
6	P-2570205	M5 x 1 HBOLT	10
7	P-2570204	1/4 x 3/4 HBOLT	4
8	P-2520310	1/4" Split Lock washer	4
FAN ASSEMBLY	P-3070104	PARTS 3,4,5 AND 6 ASSEMBLED	1

Moisture Separators



Reference #	Part #	Description	Qty
1	A-R2015-850	Relief Valve (A1000 SET TO 850 PSI)	1
	A-R2015-1000	Relief Valve (A1060 SET TO 1060 PSI)	
2	P-6040101	Inner stage Moisture Separator	1
3	F-01252	1/4 MNPT X 3/8 TUBE ELBOW	2
4	P-2510101	Clamps (2 1/4 OD)	2
5	A-R2010-final	Relief Valve	1
6	F-01251	1/4 MNPT X 1/4 TUBE ELBOW	2
7	P-6510101	Separator Mounting Plate	1
8	X-FMS-1	Final Moisture Separator	1
9	P-2510102	Clamps (2" PIPE)	2
10	P-2520101	M8 Flat Washer	4
11	P-2560105	M8 X 25 SHCS	4