

# ARCTIC COMPRESSOR

“The Simple Choice”



**MADE IN THE USA**



**ENCLOSED  
1000 & 1500 SERIES  
COMPRESSORS**

# 3 STAGE 1000 SERIES / 4 STAGE 1500 SERIES

## 3 STAGE ARCTIC COMPRESSORS

| MODEL     | PSI  | CFM | HP  | STAGES | RPM  | WEIGHT  |
|-----------|------|-----|-----|--------|------|---------|
| E3-5-A    | 5000 | 6.5 | 5   | 3      | 1100 | 600 lbs |
| E3-7.5-A  | 5000 | 9   | 7.5 | 3      | 1500 | 610 lbs |
| E3-5-A6   | 6000 | 5.5 | 5   | 3      | 1100 | 600 lbs |
| E3-7.5-A6 | 6000 | 8   | 7.5 | 3      | 1500 | 610 lbs |



## 4 STAGE ARCTIC COMPRESSORS

| MODEL     | PSI  | CFM | HP  | STAGES | RPM  | WEIGHT  |
|-----------|------|-----|-----|--------|------|---------|
| E4-7.5-A6 | 6000 | 9   | 7.5 | 4      | 1100 | 680 lbs |
| E4-10-A6  | 6000 | 14  | 10  | 4      | 1400 | 700 lbs |



## FEATURES

### ▶ 3 or 4 Stage Arctic Compressor Block featuring:

- Air Cooled with a High Velocity, 10 Bladed Fan
- Relief Valve on All Stages
- Aluminum Inter Coolers
- Stainless Steel After Cooler
- Interstage and Final Moisture Separators
- Aluminum Crankcase
- Forged Steel Crankshaft
- Cast Iron Cylinders
- ▶ Fully Enclosed Sound Dampened Cabinet
- ▶ Lift Off Panel Hinges
- ▶ Liquid Filled Interstage Pressure Gauges
- ▶ Moisture / Carbon Monoxide Visual Indicator
- ▶ 3qt Oil Capacity
- ▶ Double Rubber Vibration Isolation
- ▶ Automatic Condensate Drain System
- ▶ Pressure Switch
- ▶ Hour Meter
- ▶ Single or Three Phase Electric Motor
- ▶ 76 dB at 1 Meter

## PURIFICATION

- ▶ 24,000 Cu. Ft. at 80 degrees Fahrenheit filtration system designed to provide C.G.A. Grade "E" breathing air.
- ▶ System uses dryer bed to remove water in excess of dew point -65 degrees (NFPA 1500 standard)
- ▶ Activated charcoal and a carbon monoxide catalyst remove remaining contaminants to provide CGA Grade "E" breathing air.

## OPTIONAL FEATURES

- ▶ Real Time Electronic CO Monitor
- ▶ Additional Filtration Capacity
- ▶ Low Oil Level Shutdown

# THE SIMPLE CHOICE BENEFITS

**SIMPLE VALUE** / High quality American made equipment, affordably priced

**SIMPLE OPERATION** / Minimizes operator training requirements

**SIMPLE MAINTENANCE** / Designed for easy maintenance, reducing overall cost of ownership

**SIMPLE SERVICE** / Nationwide distributor / service network providing fast local service

*With benefits like these, it's easy to see why Arctic Compressors is "The Simple Choice."*



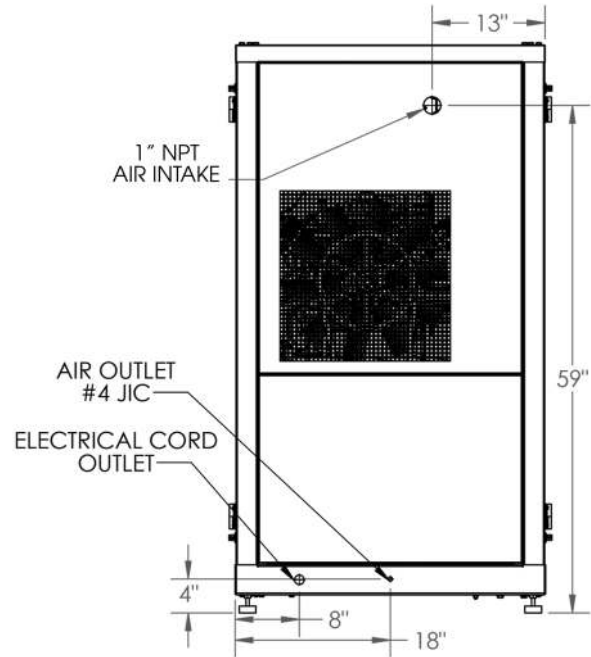
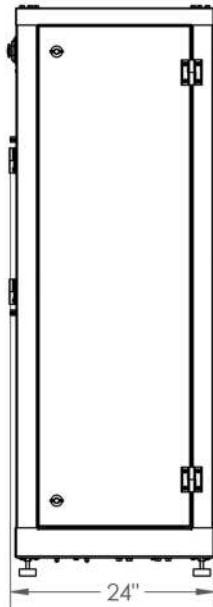
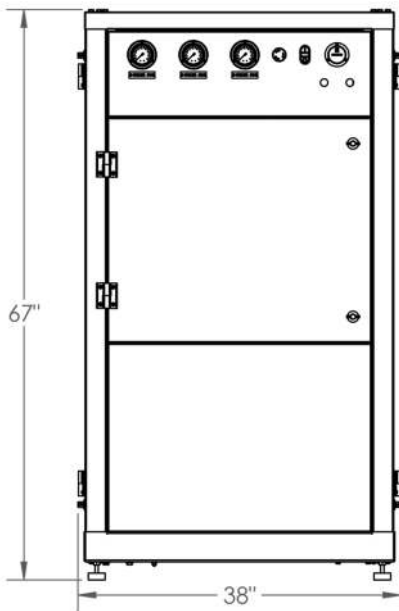
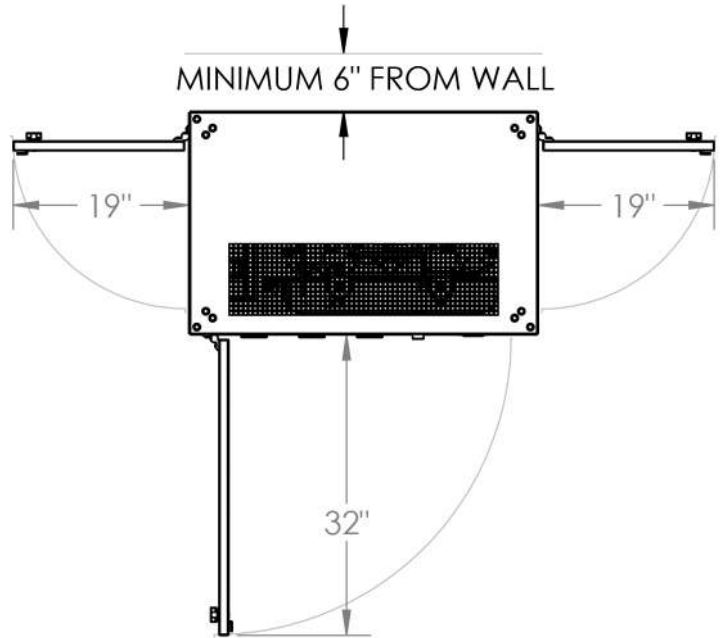
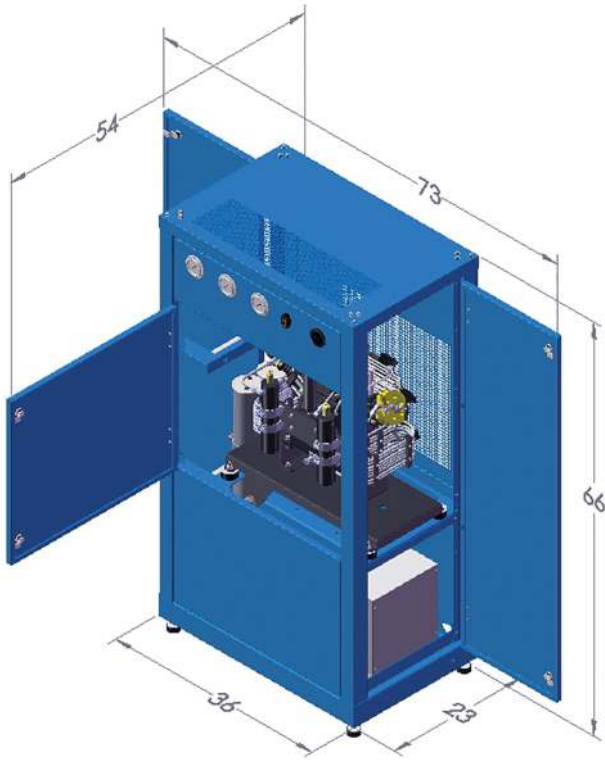
Model E4-10-A6 with  
Optional Electronic  
CO Monitor Shown



**MADE IN THE USA**

[www.ArcticCompressor.com](http://www.ArcticCompressor.com)

# TECHNICAL INFORMATION



All Arctic Compressors include an 8ft electrical cord and plug. See table for required receptacle size.

|        | Single Phase 208/240V | Three Phase 208/240V | Three Phase 480V |
|--------|-----------------------|----------------------|------------------|
| 5 HP   | NEMA 6-30             | NEMA L15-20          | NEMA L16-20      |
| 7.5 HP | NEMA 6-50             | NEMA L15-30          | NEMA L16-20      |
| 10 HP  | NEMA 6-50             | NEMA L15-30          | NEMA L16-20      |



Arctic Compressor, LLC  
 431 Tower Avenue, Superior WI 54880  
 [715] 718-3065  
 info@arcticcompressor.com  
[www.ArcticCompressor.com](http://www.ArcticCompressor.com)



MADE IN THE USA